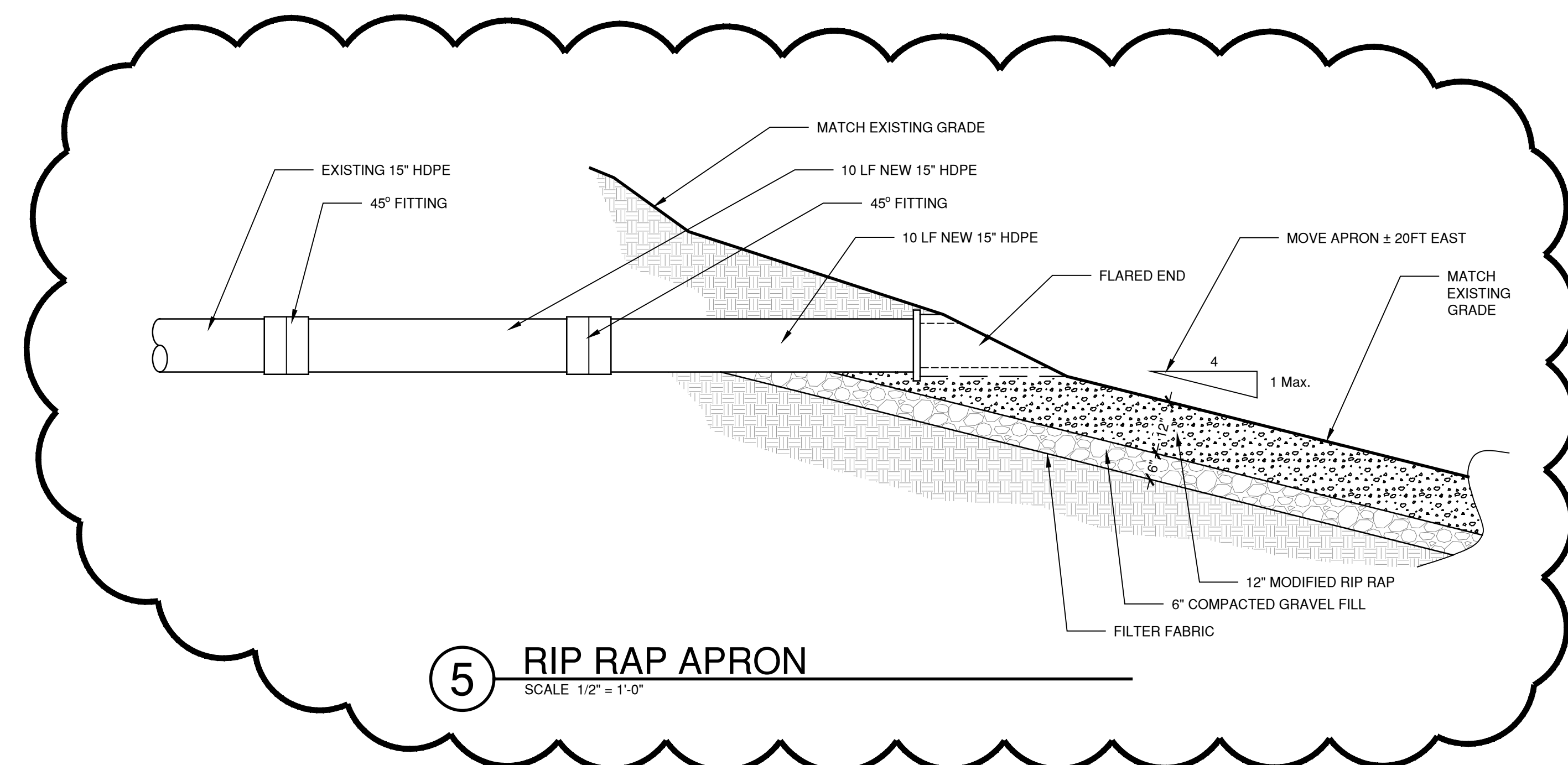
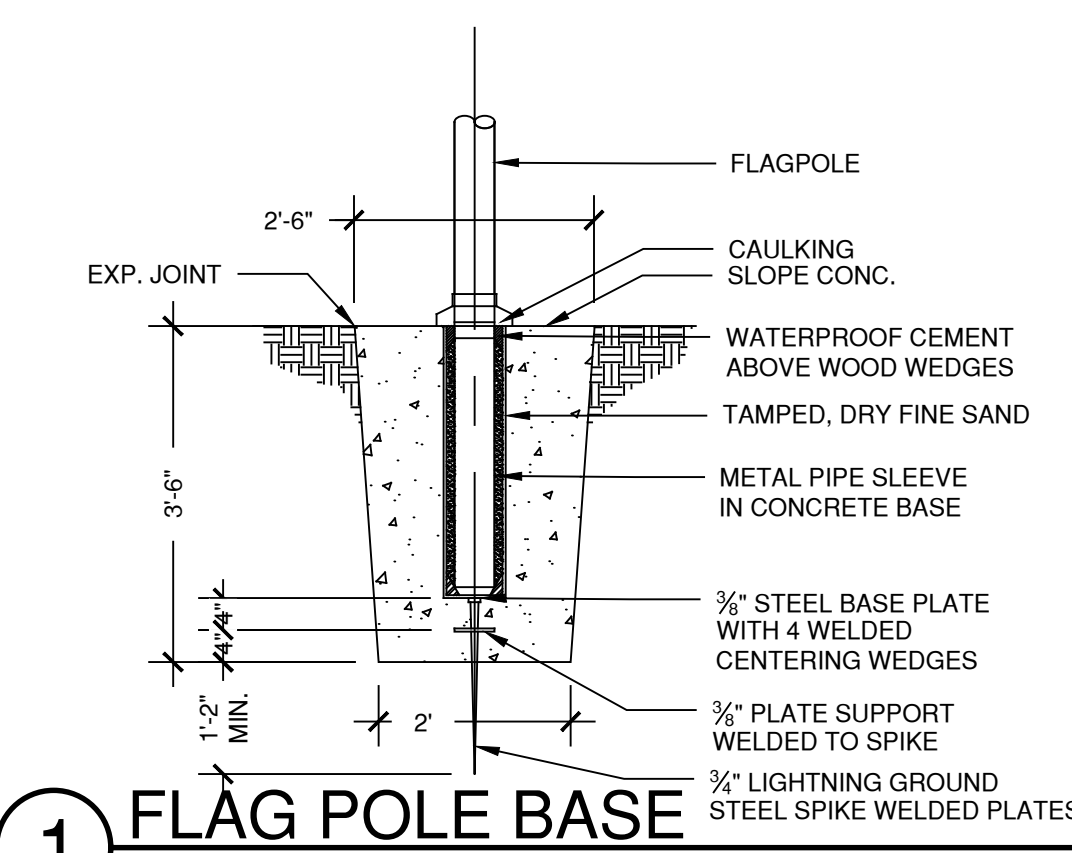


August 20, 2021
DYER SOFTBALL FIELD RELOCATION PROJECT
TOWN OF CANTON
ADDENDUM NO. 2

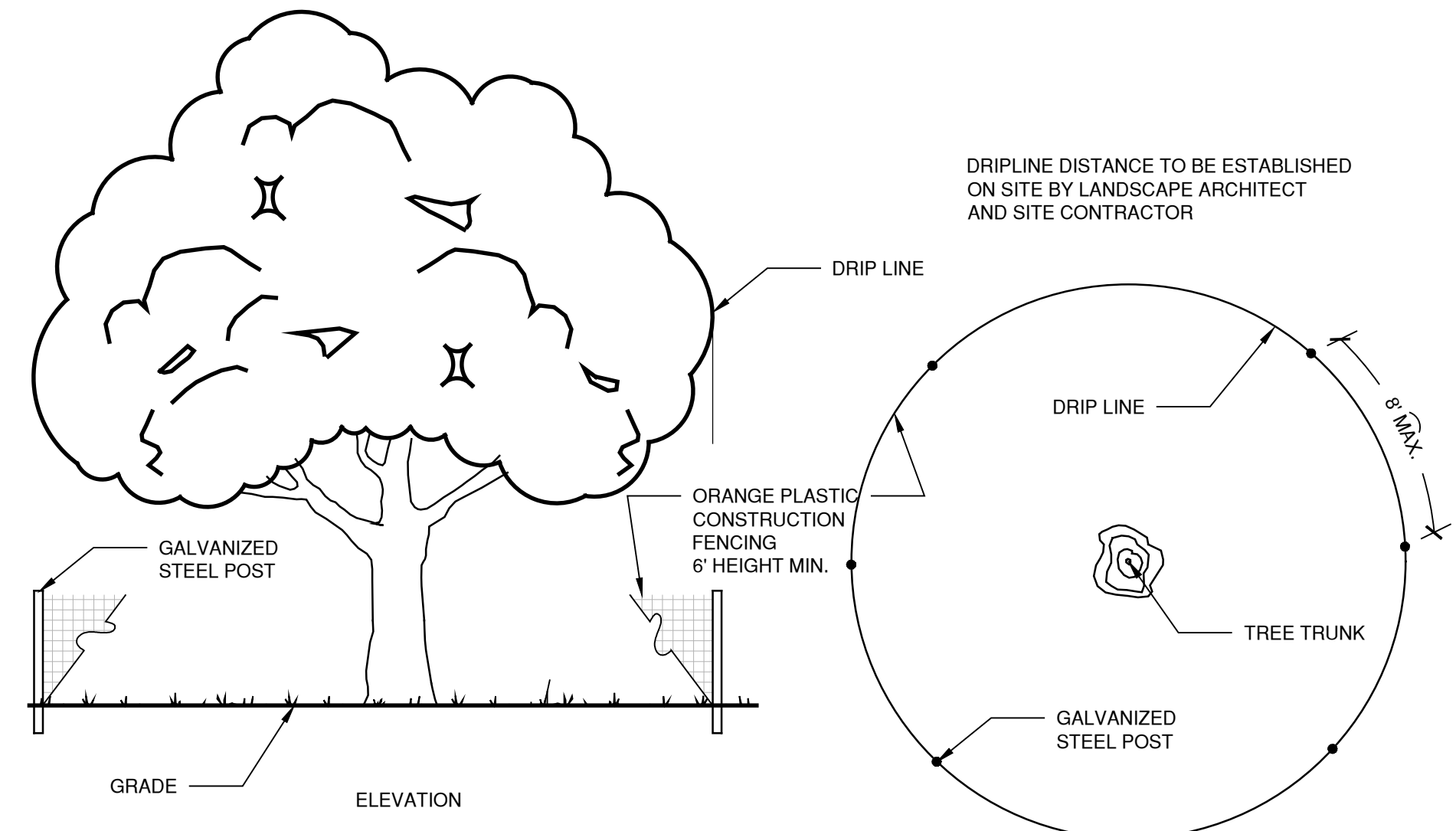
- 1. The project plans are hereby revised as follows:
Detail sheet L-4.2 is hereby replaced by new detail sheet SKL-001.**



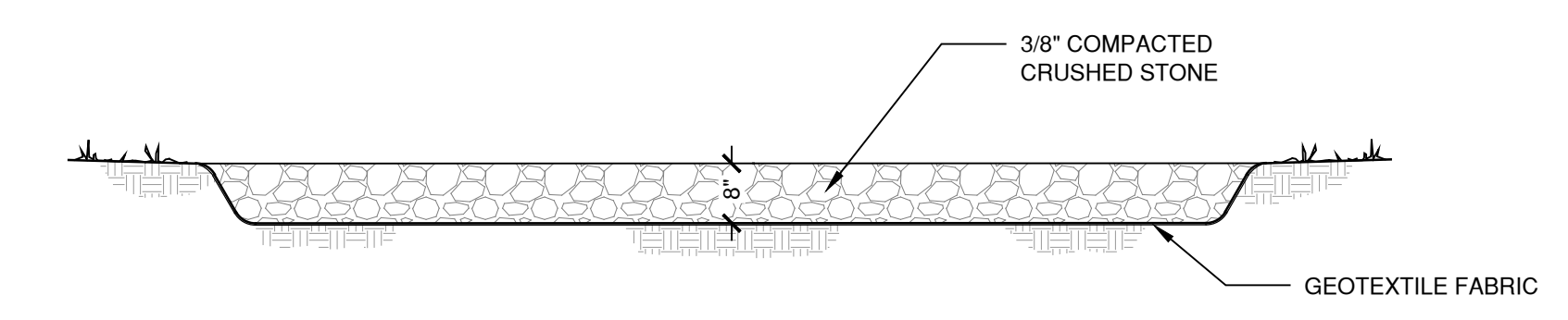
5 RIP RAP APRON
SCALE 1/2" = 1'-0"



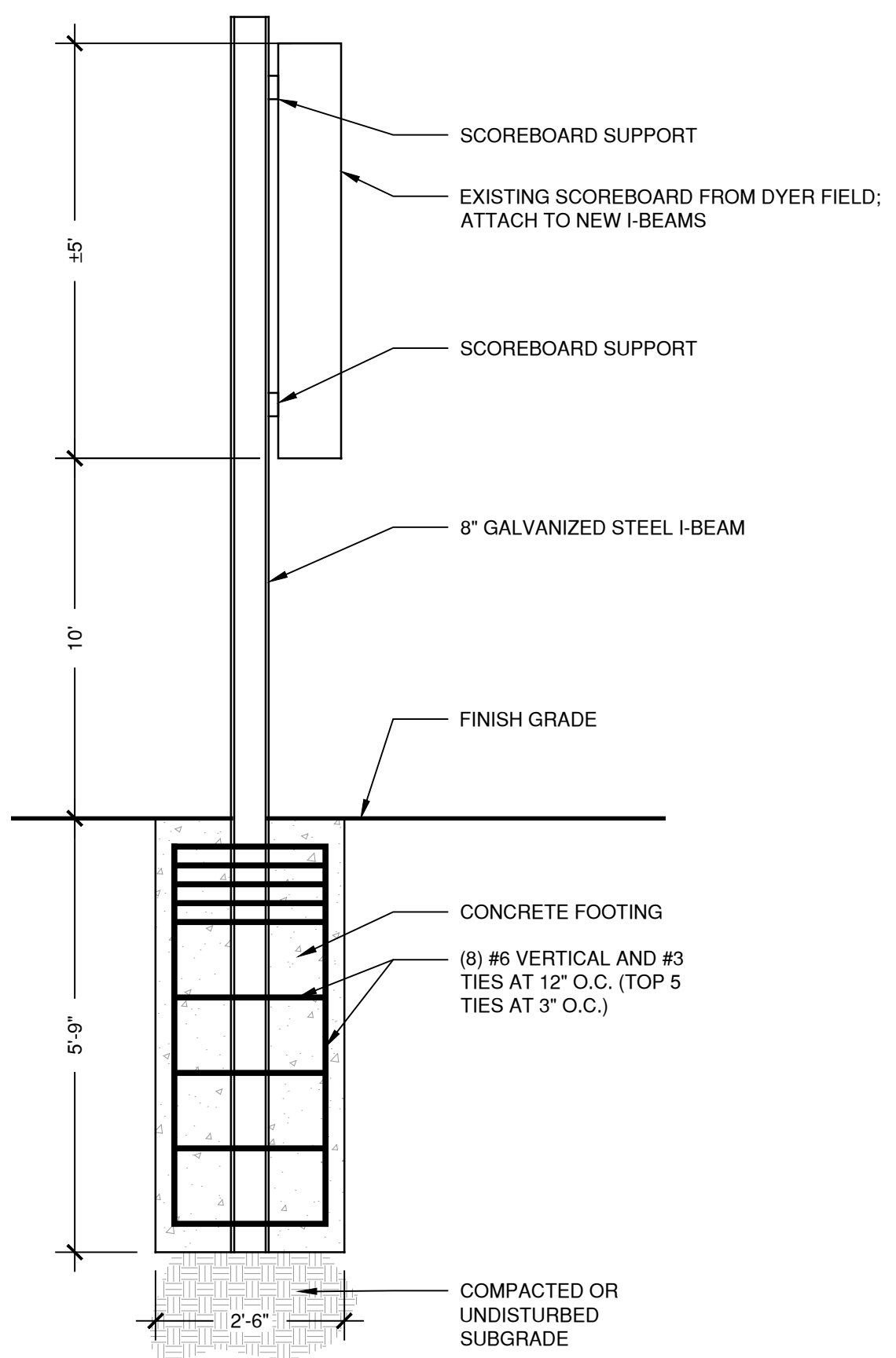
1 FLAG POLE BASE
SCALE 1/2" = 1'-0"



3 TREE PROTECTION
N.T.S.



6 BASE FOR RELOCATED SHED
SCALE 1/2" = 1'-0"

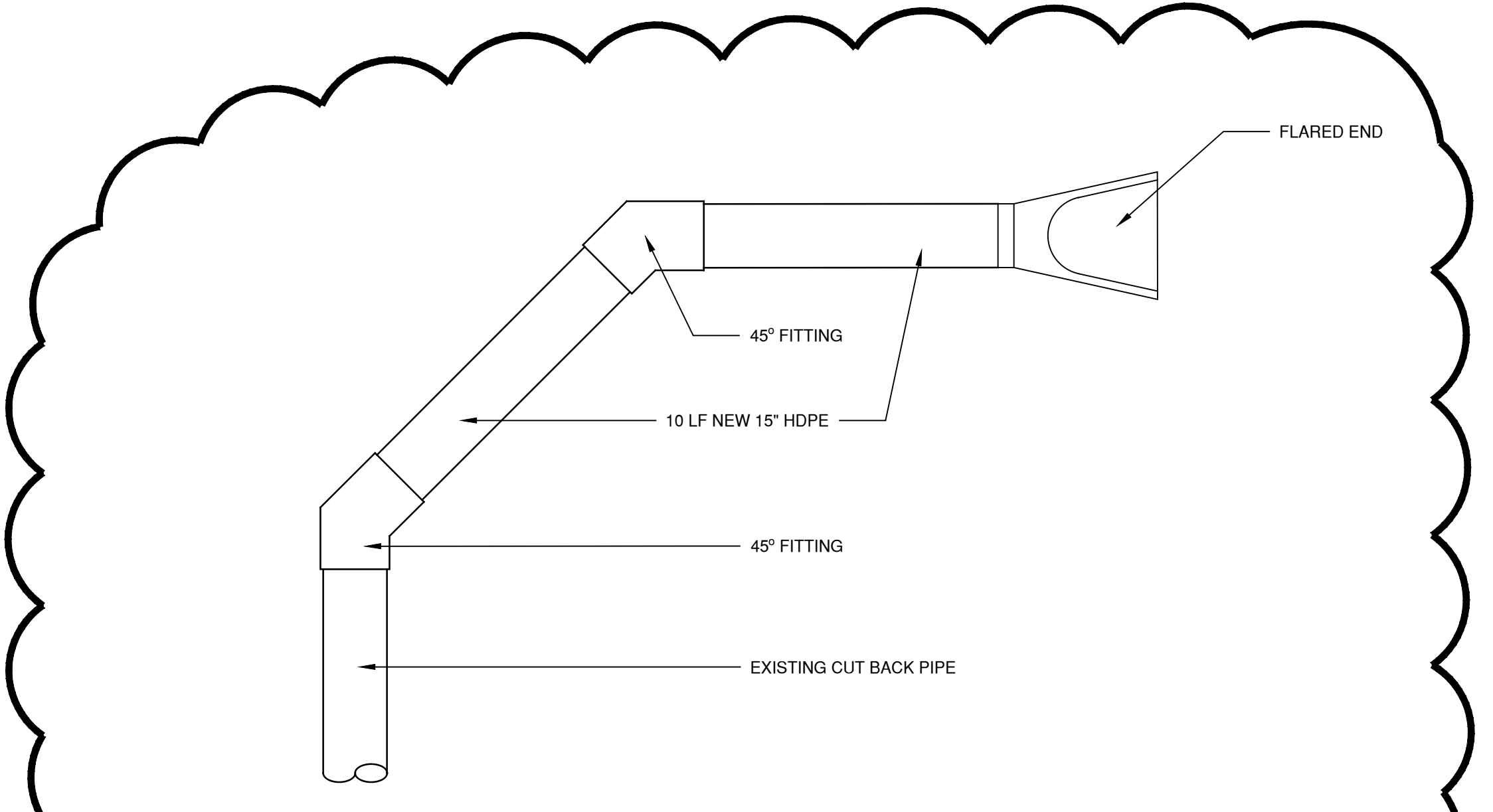


2 SCOREBOARD
SCALE 1/2" = 1'-0"



- WOOD FRAME AND ROOF STRUCTURE TO BE RELOCATED FROM DYER FIELD AND REASSEMBLED
- ATTACH WITH 1/2" ANCHOR BOLTS, 4" O.C. MAX.
- 4" HIGH CMU WALL PAINTED TO MATCH EXISTING ON 12"X42" CONCRETE FOUNDATION
- PLAYERS BENCH RELOCATED FROM DYER FIELD
- RELOCATE POST AND BEAM
- 5 CONCRETE PAVEMENT

4 DUGOUT
NOT TO SCALE



7 15" HDPE OUTLET DETAIL
NOT TO SCALE

G:\11\Drawing Files\6381 - Canton Softball Field\6381-Details.dwg 8/19/2021 3:19:57 PM mshah